

4

3

2

1

D

D

C

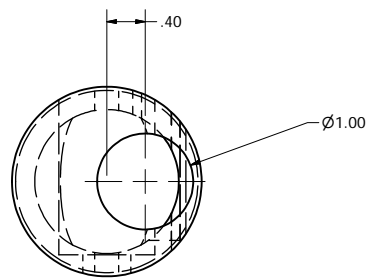
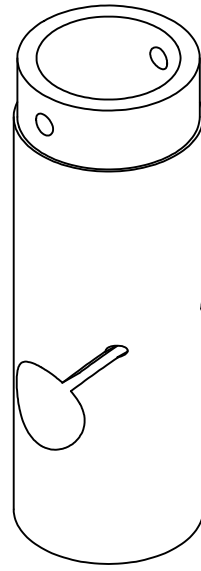
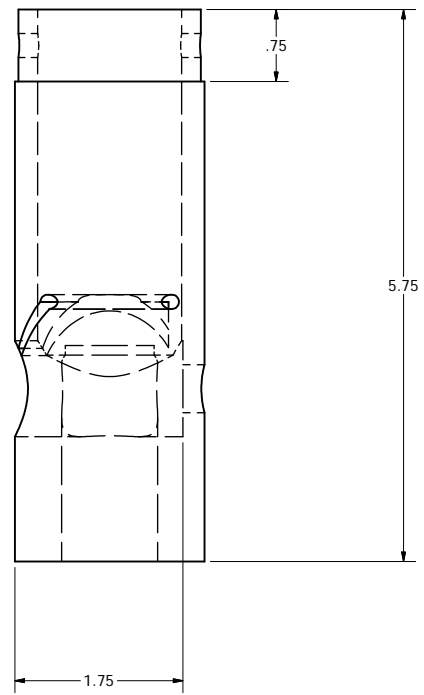
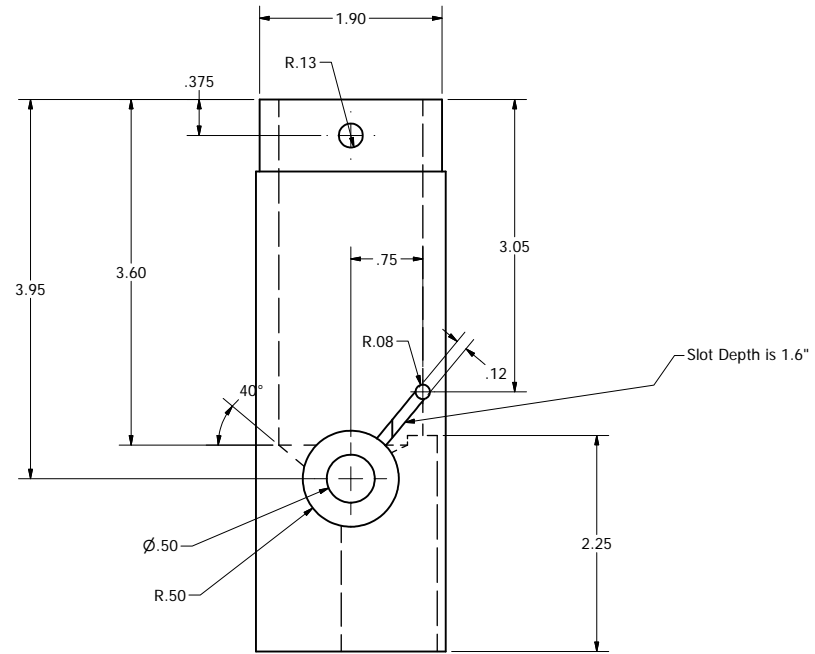
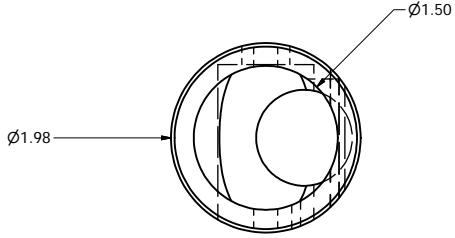
C

B

B

A

A



DRAWN	randalt	6/10/2015	TITLE	
CHECKED			TITLE	
QA			TITLE	
MFG			TITLE	
APPROVED			TITLE	
			SIZE	DWG NO
			C	HP15-OSU-P002_Meter_Housing-1
			SCALE	REV
			SHEET 1 OF 1	